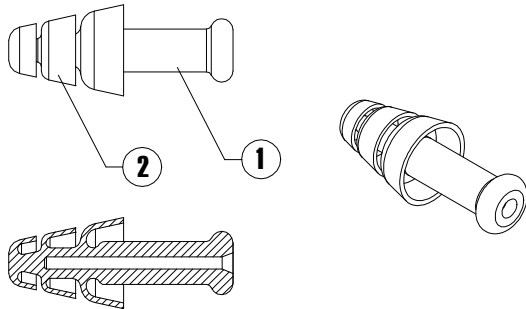


Howard Leight® SmartFit®

Product Information



Product Range

Article	Packaging Type	Part No.	Size
Howard Leight SmartFit	1 – Pair Pack	SMF-30	N/A

SAP Description

1011239 (SMF-30)	Howard Leight SmartFit (reusable earplug)
------------------	---

Product Description

Part Listing	Material	Color
1 Stem	TPE (Thermoplastic Elastomer)	Orange
2 Flange	TPE (Thermoplastic Elastomer)	Orange
3 Cord	Nylon	Blue

Nominal Dimensions

Diameter	Length	Weight
.510"/12.954mm	1.22"/30.99mm	0.0315 oz./0.89g

Storage Case/Material

HearPack/Polypropylene

Cord Length/Material

28"/ 711.2mm/Nylon

EAN-UPC

	UPC	EAN (BX)	EAN (CS)
SMF-30	033552011026	N/A	N/A
1011239	N/A	0335520112392	10335520112399

Howard Leight® SmartFit®

Product Information

Product Range

Sales units	Box	SMF-30 (100 Pairs) 1011239 (50 Pairs)
	Case	SMF-30 10 Boxes (1000pr) 1011239 10 Boxes (500pr)
	Pallet	45 CS

Dimensions	Box	SMF-30: L-8"/H-7.75"/D-5.1" 1012139: L-6.75"/H-4.625"/D-4.625"
	Case	SMF-30: L-25.6"/H-8.1"/D-16.8" 1011239: L-25"/H-5"/D-14.5"
	Pallet	SMF-30:L-50"/H-82"/D-44" 1012139:L-50"/H-56"/D-40"

Weight	Box	SMF-30: 1.14lb/ 2.505kg 1011239: 1.35LB/0.62kg
	Case	SMF-30: 26lb/ 11.82kg 1011239: 14.75lb/670kg
	Pallet	SMF-30: 1182lb/ 537.27kg 1011239: 717lb/325.23kg

Material	Box	Cardboard
	Case	Corrugated Cardboard

Customs Tariffs	Country of Origin
3926 90	Mexico

Temperature Operations Range
-26.1°C to +60°C/-15°F to + 140°F

National Stocking Number (NSN)
N/A

Regulatory Requirements

Howard Leight® SmartFit® is tested according to EN 352-2:2002 at INSPEC.										
Region - Europe					Certificate #152					
Frequency Hz	63	125	250	500	1000	2000	4000	8000	SNR Value	
Mean Value, dB	30.9	31.4	28.8	32.5	33.8	35.6	39.3	41.9	30 dB	
Standard Deviation, dB	6.2	7.3	8.9	8.1	7.3	4.3	6.0	5.0		
Assumed Protection, dB	24.7	24.1	19.9	24.4	26.5	31.3	33.3	36.9		
H = 32 dB M = 27 dB L = 23 dB										

Howard Leight® SmartFit® is tested according to ANSI S3.19-1974 at Howard Leight Industries.										
Region - USA										
Frequency Hz	125	250	500	1000	2000	3150	4000	6300	8000	NRR Value
Mean Value, dB	29.5	28.0	30.5	31.6	33.5	40.5	40.0	41.8	42.1	25 dB
Standard Deviation, dB	3.5	4.1	3.6	3.2	3.5	3.3	4.2	5.3	4.7	
Canada Class* A (L) *CSA Z94.2-1994										

Howard Leight® SmartFit® (uncorded) is tested according to AS/NZS 1270:2002 at Challis Consulting Pty. Ltd.										
Region - Australia Standardsmark License SMK1579										
Frequency Hz	125	250	500	1000	2000	4000	8000	SLC₉₀ Value		
Mean Value, dB	20.4	20.8	22.4	25.2	30.4	33.4	37.8	20 dB		
Standard Deviation, dB	8.0	9.3	9.0	8.6	5.9	7.6	8.0			
Mean-Minus-Std. Dev., dB	12.4	11.5	13.4	16.6	24.5	25.8	29.8			
Class 3 Rating										

Howard Leight® SmartFit® (corded) is tested according to AS/NZS 1270:2002 at Challis Consulting Pty. Ltd.										
Region - Australia Standardsmark License SMK1579										
Frequency Hz	125	250	500	1000	2000	4000	8000	SLC₉₀ Value		
Mean Value, dB	19.8	21.1	22.0	21.4	27.4	31.2	36.7	16 dB		
Standard Deviation, dB	12.2	10.3	9.9	9.6	8.4	8.5	11.3			
Mean-Minus-Std. Dev., dB	7.6	10.8	12.1	11.8	19.0	22.7	25.4			
Class 2 Rating										